

30B5M Vapour Booster Pump

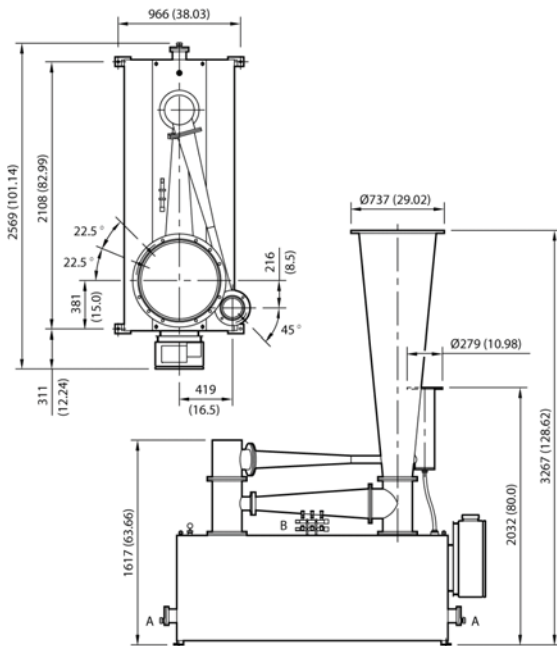


The Edwards 30B5M vapour booster pumps offer higher pumping speeds, of up to 15000 l s⁻¹ at pressures intermediate between mechanical boosters and diffusion pumps. Vapour boosters from Edwards have been proven in the field for over 30 years. With a constant program of updates and modernisation, with input from OEM's and end users, combined with inherent reliability, ease of use and tolerance to various inlet and exhaust pressures they have been used extensively in metallurgy and coating industries as well as other specialist applications.

Features & Benefits

- Very large pumping speed at high operating pressures
- Very high throughput at operating pressures
- Quick crossover for excellent pumpdown times
- Industry proven for over 40 years and continuously updated to suit OEM and end-user requirements
- Excellent reliability

Dimensions

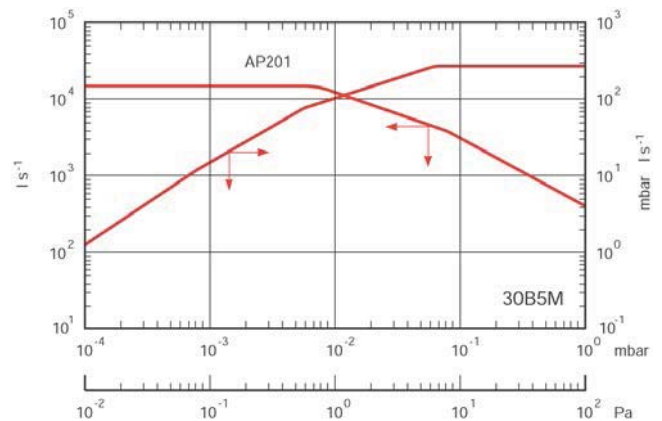


Heaters may be withdrawn either end; allow 1524 mm for this purpose.
A = Dia. 100 mm boiler cleaning point.

Applications

- Vacuum metallurgy
- Distillation, drying and degassing
- Thin film coating and metallizing
- Large-scale research

Performance Curves



Technical Data

Pumping speed (air)	12500 ls ⁻¹
Pumping speed (hydrogen)	15000 ls ⁻¹
Maximum throughput	300 mbar ls ⁻¹ / 225 Torr ls ⁻¹
Critical backing pressure (with AP201 fluid)	5.3-6 mbar / 4-4.5 Torr
Recommended backing pump displacement	290 m ³ h ⁻¹ / 171 ft ³ min ⁻¹
Recommended backing pump†	GXS450, E2M275
Recommended fluid	Apiezon® AP201
Fluid charge	55 litre / 52 qt
Inlet connection	12 x 20.60 holes on 686.0 PCD
Backing connection	4 x 16.70 holes on 235.0 PCD
Water connection	1 inch BSP
Heater power	22.5 kW / 30 hp
Warming up time for full performance at maximum heater input	60 min
Minimum water flow inlet	2250 l h ⁻¹ @ 20°C / 9.9 US gal min ⁻¹ @ 20°C
Weight	620 kg / 1367 lbs

† These are given for guidance, please contact Edwards for a recommendation of pump combinations best suited for your application.

Ordering Information

Product Description	Order No.
30B5M, 380V, 3Ø, 50/60 Hz with Terminal Box	B06407380
30B5M, 400V, 3Ø, 50/60 Hz with Terminal Box	B06407400
30B5M, 415V, 3Ø, 50/60 Hz with Terminal Box	B06407415
30B5M, 440V, 3Ø, 50/60 Hz with Terminal Box	B06407440
30B5M, 460V, 3Ø, 50/60 Hz with Terminal Box	B06407460
30B5M, 480V, 3Ø, 50/60 Hz with Terminal Box	B06407480